

# Antenna, Cone

## ERF4104

### Description

The ERF4104 antenna is a multipurpose antenna that is suitable for multiple frequencies, it uses a 1m cable and U.FL connector. The magnetic base of the antenna allows for easy placement and integration. The antenna can be used for applications such as, M2M, 868/915MHz, cellular applications and many more.

### Technology

- 868/915 MHz
- 2G/3G/4G/5G
- LTE-M / CAT-M
- LoRa
- NB-IoT
- ISM
- Zigbee
- GSM



## Features

Electrical Properties	Description		
Frequency marker	Frequency band MHz	Return loss dB	V.S.W.R.
1	700	-7.4	< 2.5
2	800	-25.1	< 1.1
3	868	-13.2	< 1.6
4	900	-12.0	< 1.7
5	915	-11.4	< 1.7
6	1.800	-8.2	< 2.3
7	1.900	-7.2	< 2.5
8	2.100	-11.3	< 1.7
9	2.400	-6.0	< 3
10	2.600	-3.4	< 5.1
11	3.500	-6.4	< 2.8
12	5.000	-4.4	< 4.0
13	5.800	-12.9	< 1.6
Nominal Impedance	50 Ω		
Polarization	Linear		
Gain	1.0 dBi		

Mechanical Properties	Description
Antenna	External Cone Antenna
Mounting	Magnet
Connector	U.FL
Dimensions	89 mm ± 2
Color	Black

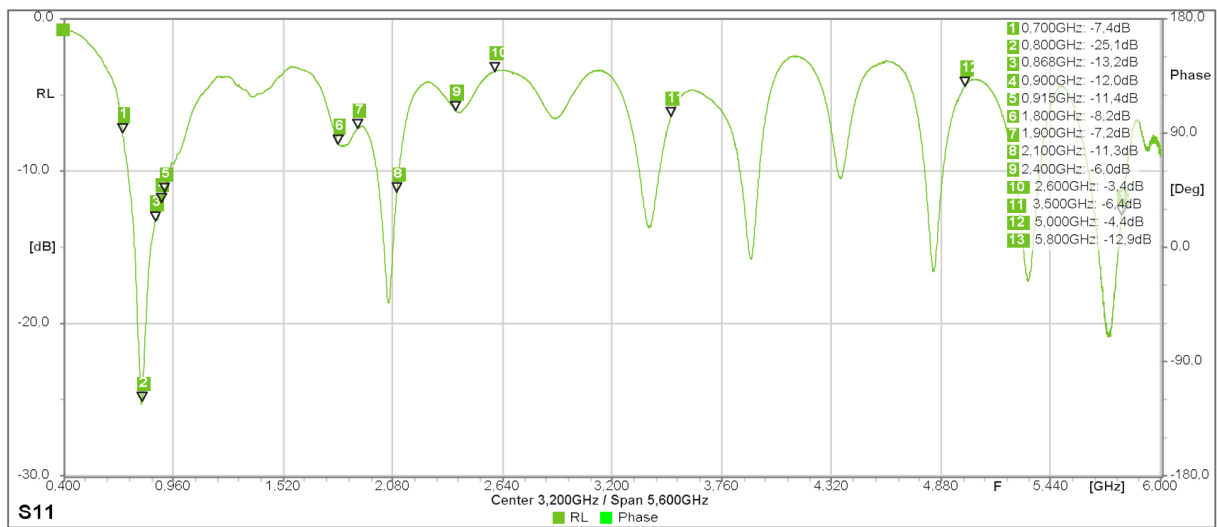
# Antenna, Cone

## ERF4104

<b>Cable type</b>	RG178
<b>Cable Length</b>	20 cm ± 0.1
<b>Operating Temperature</b>	-40°C~+85°C
<b>Storage Temperature</b>	-40°C~+85°C

### Antenna Properties

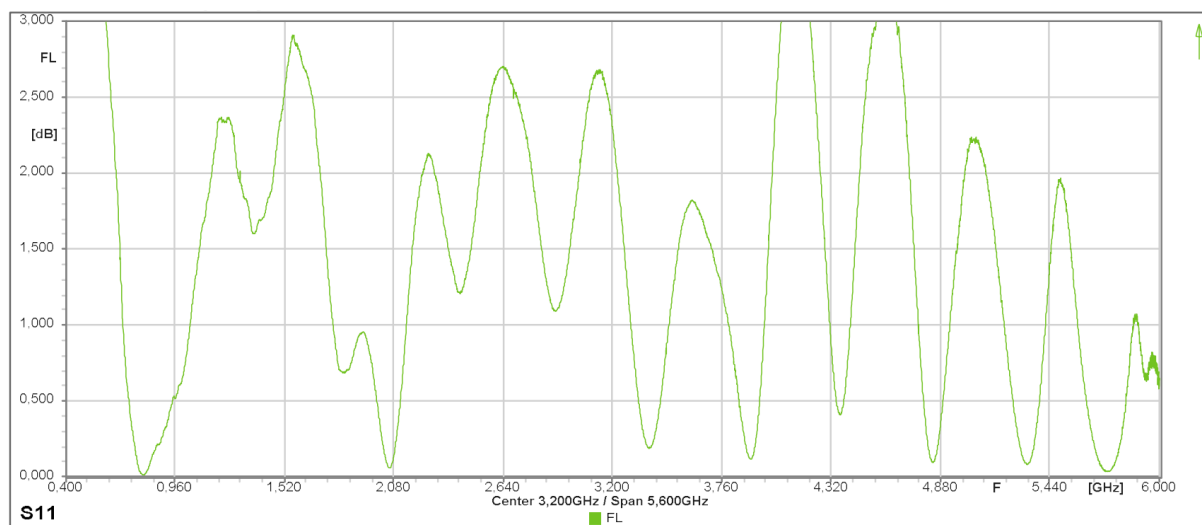
#### Return Loss



# Antenna, Cone

## ERF4104

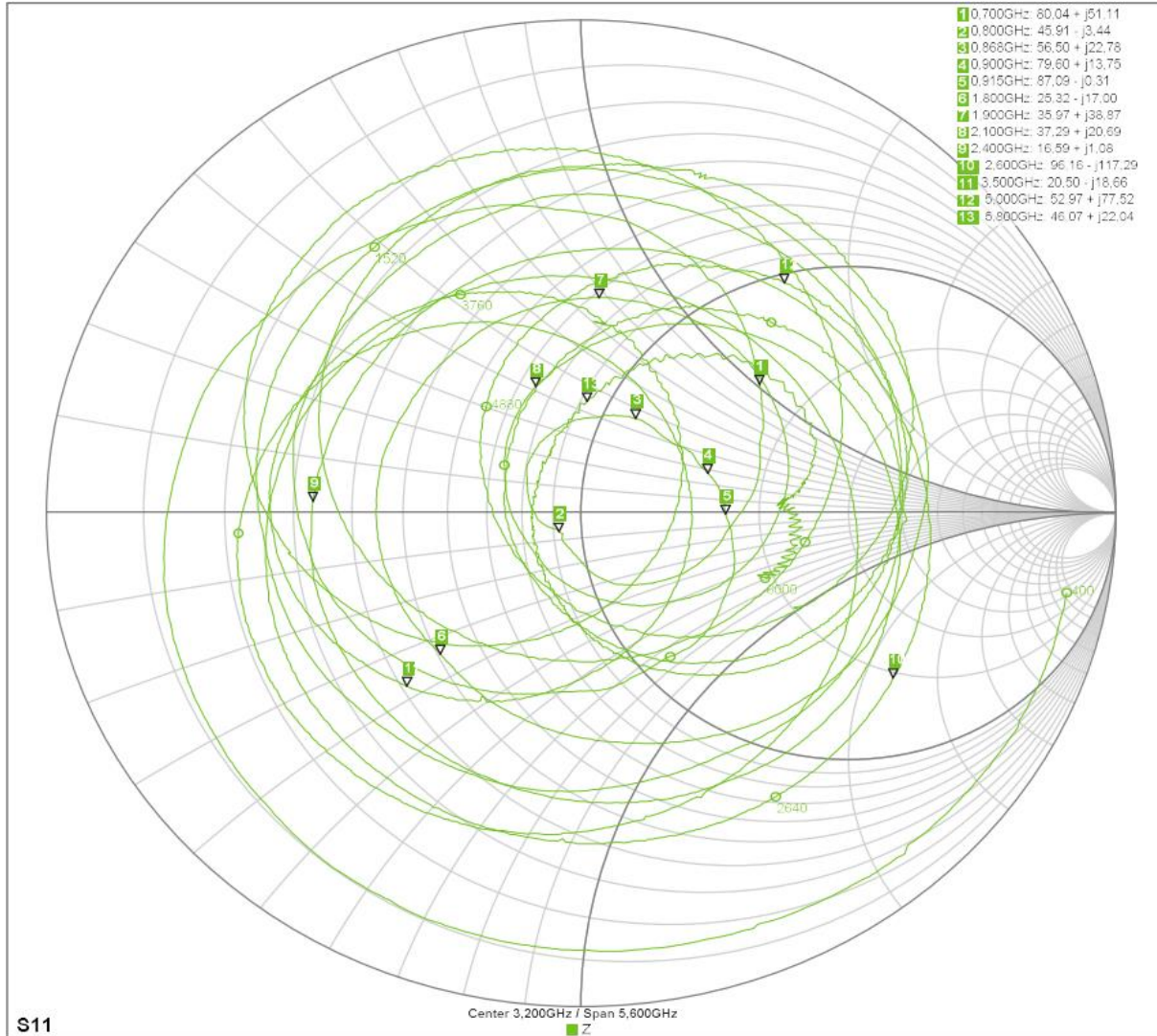
### Forward Loss



# Antenna, Cone

## ERF4104

### Impedance

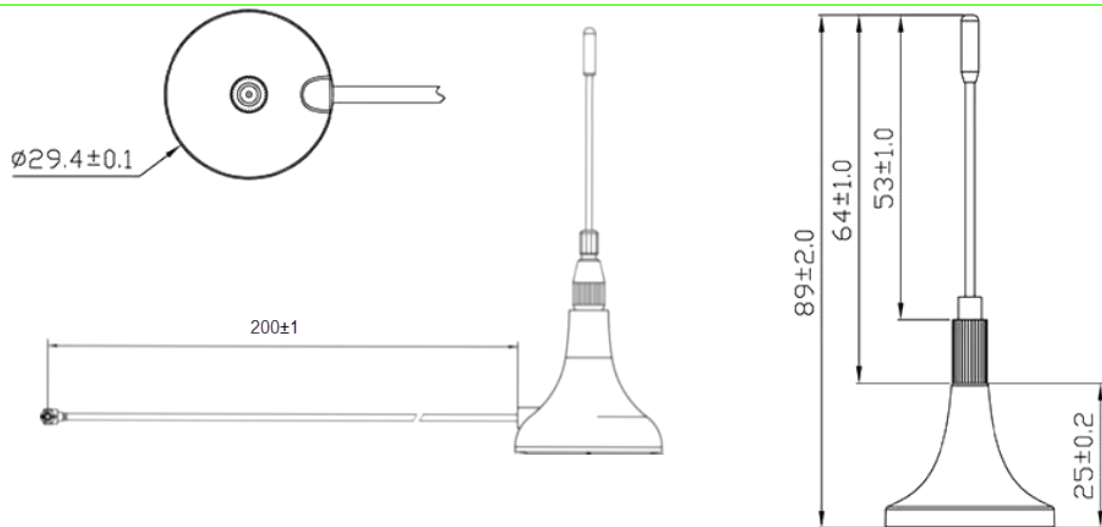


### Dimensions

\*unit: mm

# Antenna, Cone

## ERF4104



### Connectors



The ERF4104 antenna uses an U.FL connector.

### Ordering information

Ordering can be done via [www.summit-electronics.com](http://www.summit-electronics.com) or via [info@summit-electronics.com](mailto:info@summit-electronics.com). Please contact us for more information. Customisation of the product is available on request.

### Technical support

For all product questions please contact us via [info@summit-electronics.com](mailto:info@summit-electronics.com)

### Document revision

Rev	Date	changes
V01.00	06-04-2023	First issue of document